

Figure 1

NOTES :

1. REFER TO APPLICABLE SYMBOL LIST.
2. DIMENSIONING AND TOLERANCING PER ANSI Y14.5, 1973.
3. TWO LEADS.
4. SQUARE OR RADIUS ON END OF TERMINAL OPTIONAL.
5. TWO HOLES.
6. BOTH ENDS.
7. FIGURE 1 LEAD CONFIGURATION APPLICABLE.
8. DATUM SURFACE $-B-$ IS SEATING PLANE.
9. DIMENSIONS $-\phi p-$ & $-\phi p_1-$ ARE DATUMS.
10. POSITIONAL TOLERANCE FOR ϕD :
 $\phi .25 \text{ M B } (\phi p_1) (\phi p_2)$
11. CONTROLLING DIMENSION: MILLIMETERS.

SYMBOL	VARIATIONS (ALL DIMENSIONS SHOWN IN MILLIMETERS)											
	AE		NOTE	MIN.	MAX.	NOTE	MIN.	MAX.	NOTE	MIN.	MAX.	NOTE
	MIN.	MAX.										
A	6.4	11.4										
A ₁	1.53	3.42										
b	-	-										
Øb	1.45	1.60	3									
ØD	-	22.22										
e	10.67	11.17										
e ₁	5.21	5.71										
L	11.18	12.19										
L ₁	-	-										
O	-	-										
O ₁	-	-										
Øp ₁	3.84	4.19	5,9									
Øp ₂	3.84	4.19	5,9									
q	30.15	BSC										
R	12.58	13.33										
R ₁	3.33	4.77	6									
s	16.64	17.14										
ØT	-	-										
NOTE	1,2,8,9,10,11											
REF.												
ISSUE	B NOV. 82											
JEDEC SOLID STATE PRODUCT OUTLINES			TITLE FLANGE MOUNTED HEADER FAMILY 10.922 PIN SPACING				ISSUE B	DATE NOV. 82	T0-204 VARIATION AE			

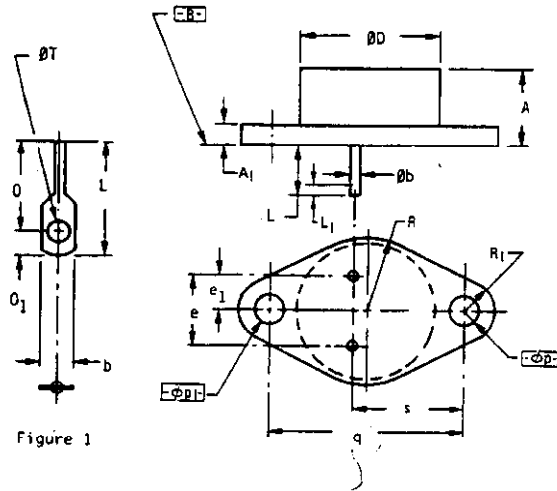


Figure 1

NOTES:

1. REFER TO APPLICABLE SYMBOL LIST.
2. DIMENSIONING AND TOLERANCING PER ANSI Y14.5, 1973.
3. TWO LEADS.
4. SQUARE OR RADIUS ON END OF TERMINAL OPTIONAL.
5. TWO HOLES.
6. BOTH ENDS.
7. FIGURE 1 LEAD CONFIGURATION APPLICABLE.
8. DATUM SURFACE $-B-$ IS SEATING PLANE.
9. DIMENSIONS $-\phi p-$ & $-\phi p1-$ ARE DATUMS.
10. POSITIONAL TOLERANCE FOR ϕD :
 $\phi D \pm .010 \text{ B } \phi p1 \text{ M } \phi p1 \text{ M}$
11. CONTROLLING DIMENSION: INCH.

SYMBOL	VARIATIONS (ALL DIMENSIONS SHOWN IN INCHES)											
	AE		NOTE	MIN.	MAX.	NOTE	MIN.	MAX.	NOTE	MIN.	MAX.	NOTE
	MIN.	MAX.										
A	.250	.450										
A1	.060	.135										
b	-	-										
Øb	.057	.063	3									
ØD	-	.875										
e	.420	.440										
e1	.205	.225										
L	.440	.480										
L1	-	-										
O	-	-										
O1	-	-										
Øp1	.151	.165	5,9									
Øp1	.151	.165	5,9									
q	1.187	BSC										
R	.495	.525										
R1	.131	.188	6									
s	.655	.675										
ØT	-	-										
NOTE	1,2,8,9,10,11											
REF.												
ISSUE	B NOV. 82											
JEDEC SOLID STATE PRODUCT OUTLINES			TITLE FLANGE MOUNTED HEADER FAMILY .430 PIN SPACING			ISSUE B		DATE NOV. 82		T0-204 VARIATION AE		