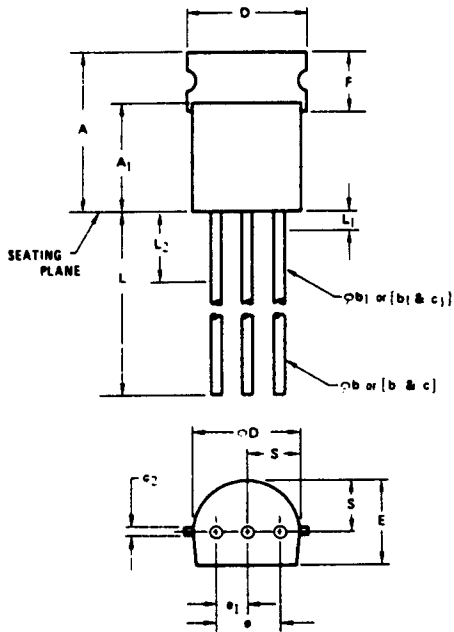


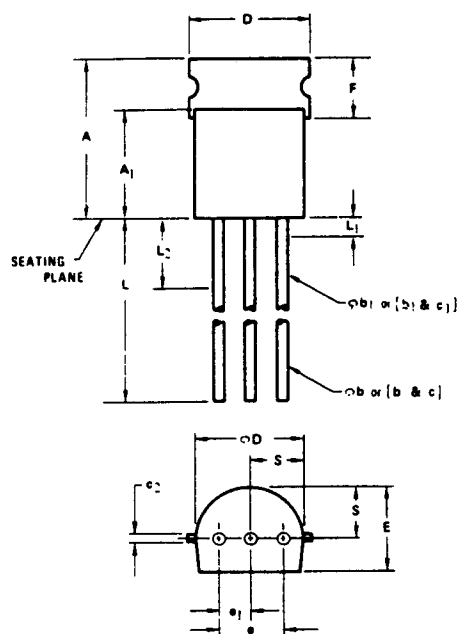
NOTES:

1. REFER TO APPLICABLE SYMBOL LIST.
2. DIMENSIONING AND TOLERANCING PER ANSI Y14.5, 1973.
3. TAB COUNTOUR OPTIONAL WITHIN F.
4.  $\phi b$  ( $b_1$  &  $c_1$ ) APPLY BETWEEN  $L_1$  &  $L_2$ .  $\phi b$  ( $b$  &  $c$ ) APPLY BETWEEN  $L_2$  & 12.7 FROM SEATING PLANE. DIMENSIONS ARE UNCONTROLLED IN  $L_1$  & BEYOND 12.7 FROM SEATING PLANE.
5. CONTROLLING DIMENSIONS : MILLIMETER



VARIATIONS (ALL DIMENSIONS SHOWN IN MILLIMETER)

SYMBOL	AA		NOTE			NOTE			NOTE			NOTE
	MIN.	MAX.		MIN.	MAX.		MIN.	MAX.		MIN.	MAX.	
	A	6.60		7.11								
A1	4.32	5.33										
b	.41	.56	4									
b1	.41	.46	4									
c	.36	.51	4									
c1	.36	.41	4									
c2	.36	.41	3									
$\phi b$	.41	.56	4									
$\phi b_1$	.41	.48	4									
D	4.06	5.46	3									
$\phi D$	4.44	5.21										
E	3.18	4.23										
e	2.41	2.67										
e1	1.14	1.40										
F	2.41	2.67	3									
L	12.7	-										
L1	-	1.27	4									
L2	6.35	-	4									
S	2.03	2.67										
NOTE	1, 2, 5											
REF.	TO-226AA											
ISSUE	B OCTOBER 1979											
JEDEC SOLID STATE PRODUCT OUTLINES			TITLE HEADER FAMILY (FLAT INDEX)				ISSUE B	DATE 10/30/79		TO-237AA		



**NOTES:**

1. REFER TO APPLICABLE SYMBOL LIST.
2. DIMENSIONING AND TOLERANCING PER ANSI Y14.5, 1973.
3. TAB CONTOUR OPTIONAL WITHIN F.
4.  $\phi b$  ( $b_1$  &  $c_1$ ) APPLY BETWEEN  $L_1$  &  $L_2$ .  $\phi b$  ( $b$  &  $c$ ) APPLY BETWEEN  $L_2$  & .500 FROM SEATING PLANE. DIMENSIONS ARE UNCONTROLLED IN  $L_1$  & BEYOND .500 FROM SEATING PLANE.
5. CONTROLLING DIMENSIONS: INCH.

SYMBOL	VARIATIONS (ALL DIMENSIONS SHOWN IN INCH)												
	AA		NOTE			NOTE			NOTE			NOTE	
	MIN.	MAX.		MIN.	MAX.		MIN.	MAX.		MIN.	MAX.		
A	.260	.280											
A1	.170	.210											
b	.016	.022	4										
b1	.016	.018	4										
c	.014	.020	4										
c1	.014	.016	4										
c2	.014	.016	3										
$\phi b$	.016	.022	4										
$\phi b_1$	.016	.019	4										
D	.160	.215	3										
$\phi D$	.175	.205											
E	.125	.165											
e	.095	.105											
e1	.045	.055											
F	.095	.105	3										
L	.500	-											
L1	-	.050	4										
L2	.250	-	4										
S	.080	.105											
NOTE	1, 2, 5												
REF.	TO-226AA												
ISSUE	B OCTOBER 1979												
JEDEC SOLID STATE PRODUCT OUTLINES				TITLE HEADER FAMILY (FLAT INDEX)				ISSUE A		DATE 10/30/79		TO-237AA	