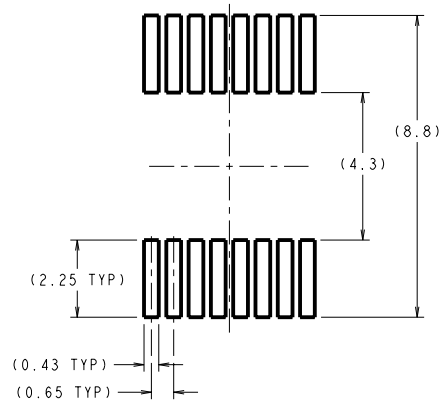
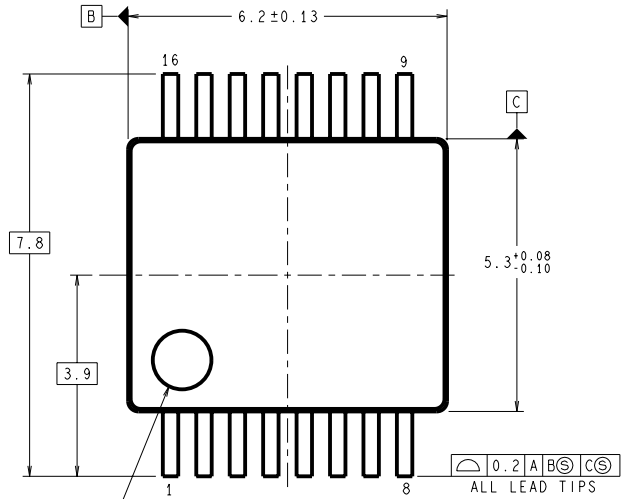
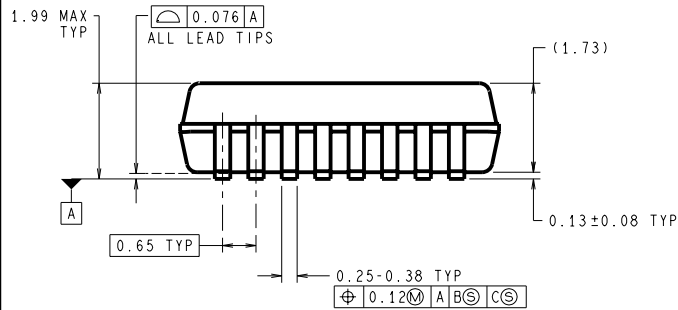


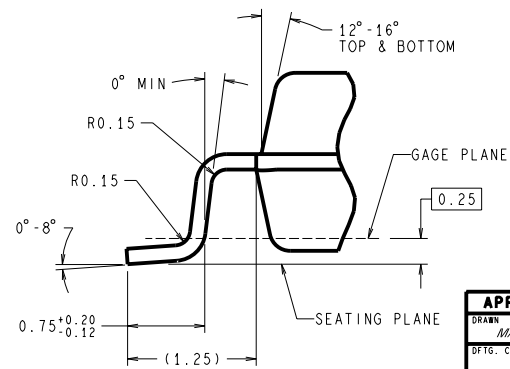
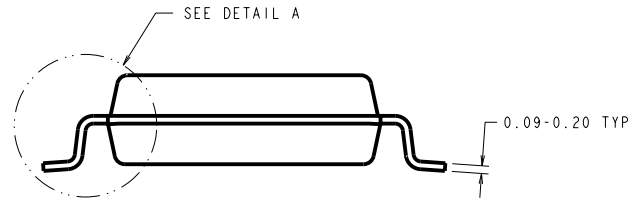
REVISIONS				
LTR	DESCRIPTION	E.C.N.	DATE	BY/APP'D
A	RELEASE TO DOCUMENT CONTROL	11765	06/30/1997	MS/



LAND PATTERN RECOMENDATION



DIMENSIONS ARE IN MILLIMETERS



DETAIL A TYPICAL, SCALE: 30X

APPROVALS	DATE	National Semiconductor		
DRAWN MARTA SUCHY	06/30/1997	2900 Semiconductor dr., Santa Clara, CA 95052-8090		
DTG. CHK.		MOLDED SSOP, 5.3mm BODY WIDTH, 0.65mm PITCH, EIAJ, TYPE II, 16 LEAD		
ENGR. CHK.				
PROJECTION		SCALE	SIZE	DRAWING NUMBER
		N/A	C	(SC)MKT-MSA16
INCH (MM)		DO NOT SCALE DRAWING		REV A
		SHEET 1 of 1		